



UTS SPREADERS - ELECTRIC

FIGURE LIST

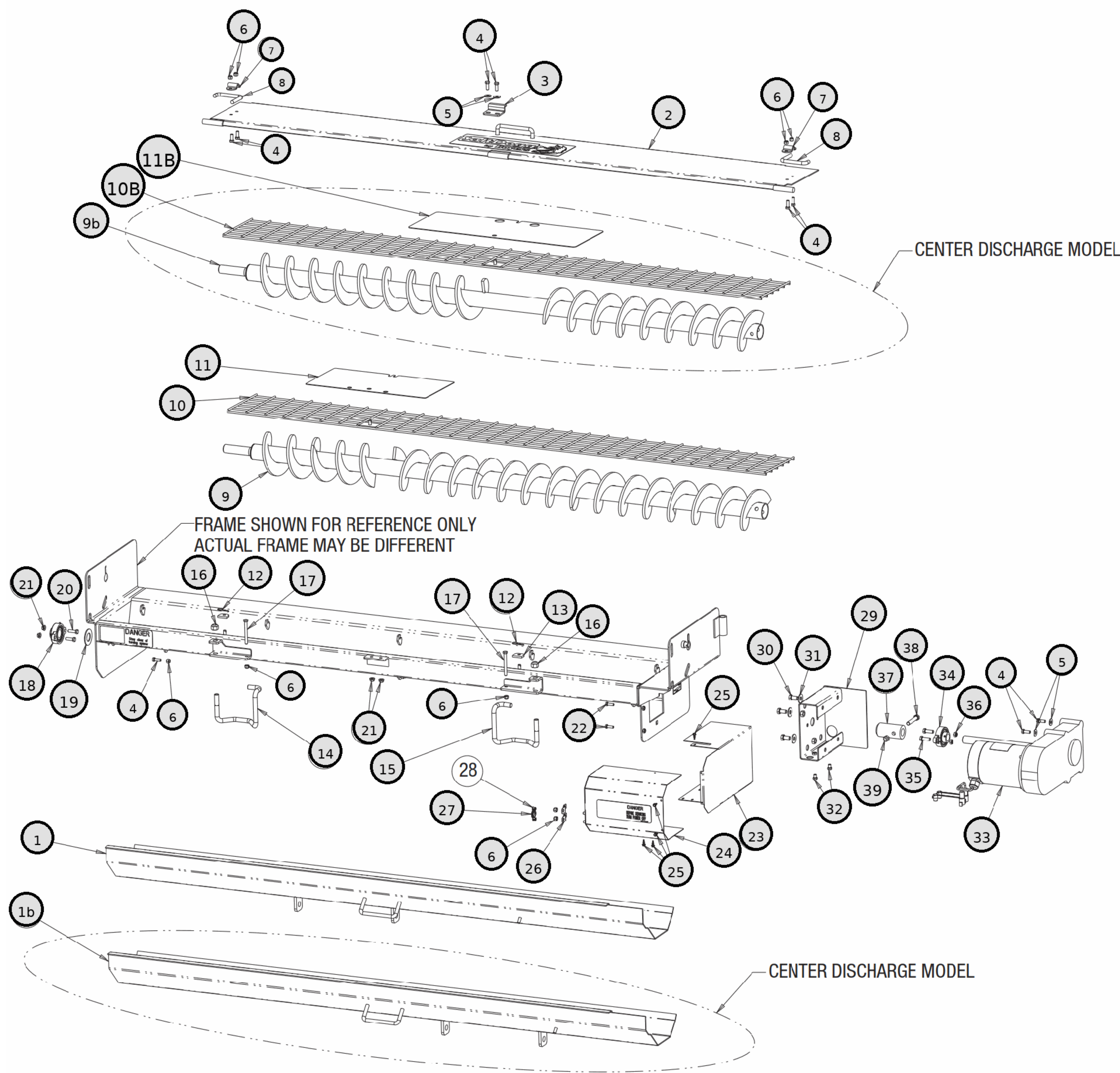
Page	Description
1	92441SSA 92440SSA UTS-PARTID.GIF
2	92441SSA 92440SSA MAIN ASSEMBLY WITH SCREEN
4	92441SSA 92440SSA CONTROL HARNESSSES
5	92441SSA 92440SSA SPINNER FRAME ASSEMBLY
6	92441SSA 92440SSA SPINNER ASSEMBLY
7	92441SSA 92440SSA 3041324 COMPLETE LOW PROFILE SPINNER KIT (CAN BE USED TO UPDATE OLDER ELECTRIC UTS)
8	92441SSA 92440SSA ADJUSTABLE HEIGHT FRAME ASSEMBLY, 2009-2018
9	92441SSA 92440SSA ADJUSTABLE HEIGHT SPINNER MOTOR ASSEMBLY, 2009-2018
10	92441SSA 92440SSA FIXED HEIGHT SPINNER MOTOR, 2008
11	92441SSA 92440SSA FIXED HEIGHT SPINNER FRAME, 2008
12	92441SSA 92440SSA FIXED HEIGHT SPINNER KIT AND ELECTRICAL, 2008
13	92441SSA 92440SSA ADJUSTABLE HEIGHT SPINNER FRAME, 2009-2018

THE UTS SPINNER ASSEMBLY CAN BE USED TO IDENTIFY WHICH DIAGRAMS TO USE FOR SERVICE PARTS. SEE INDIVIDUAL SERVICE DIAGRAMS FOR ADDITIONAL SERVICE PARTS.

Service Diagram Description	Fixed Height	Adjustable Height	Low Profile
Spinner Style	Fixed Height/Direct Drive SHPE Harness w/PRO Controller	Adjustable Height/Direct Drive SHPE Harness w/PRO Controller	Adjustable Height/Gearbox PRO Harness w/PRO Controller
Date Released	2008	2009	2017
Spinner Assembly Shown	303996 (OBSOLETE) - Replace with 303716; 303715 or 303994	303716	303902
Spinner Mount Bracket	Built in		303715
Spinner Motor	303408	303639	303072
Spinner Motor to Harness Adapter	300653	303395	-
Spinner Link	303293 (CW) 303634 (CCW)	303634	303907
Auger Gear Motor		303382 303718 (Motor Only)	
Harness/Main	300674	303694	303628
Harness/Power Controller	303936 303622		303938 305798

ALL SPINNER ASSEMBLIES CAN BE UPGRADED TO THE CURRENT DESIGN WITH REF 390124
THIS IS THE COMPLETE SPINNER KIT THAT HANGS UNDER THE UTS. THIS HAS A HORIZONTAL MOTOR SO IS LESS PRONE TO WATER/SALT DAMAGE. HARNESS ADAPTER 303395 MAY BE REQUIRED.

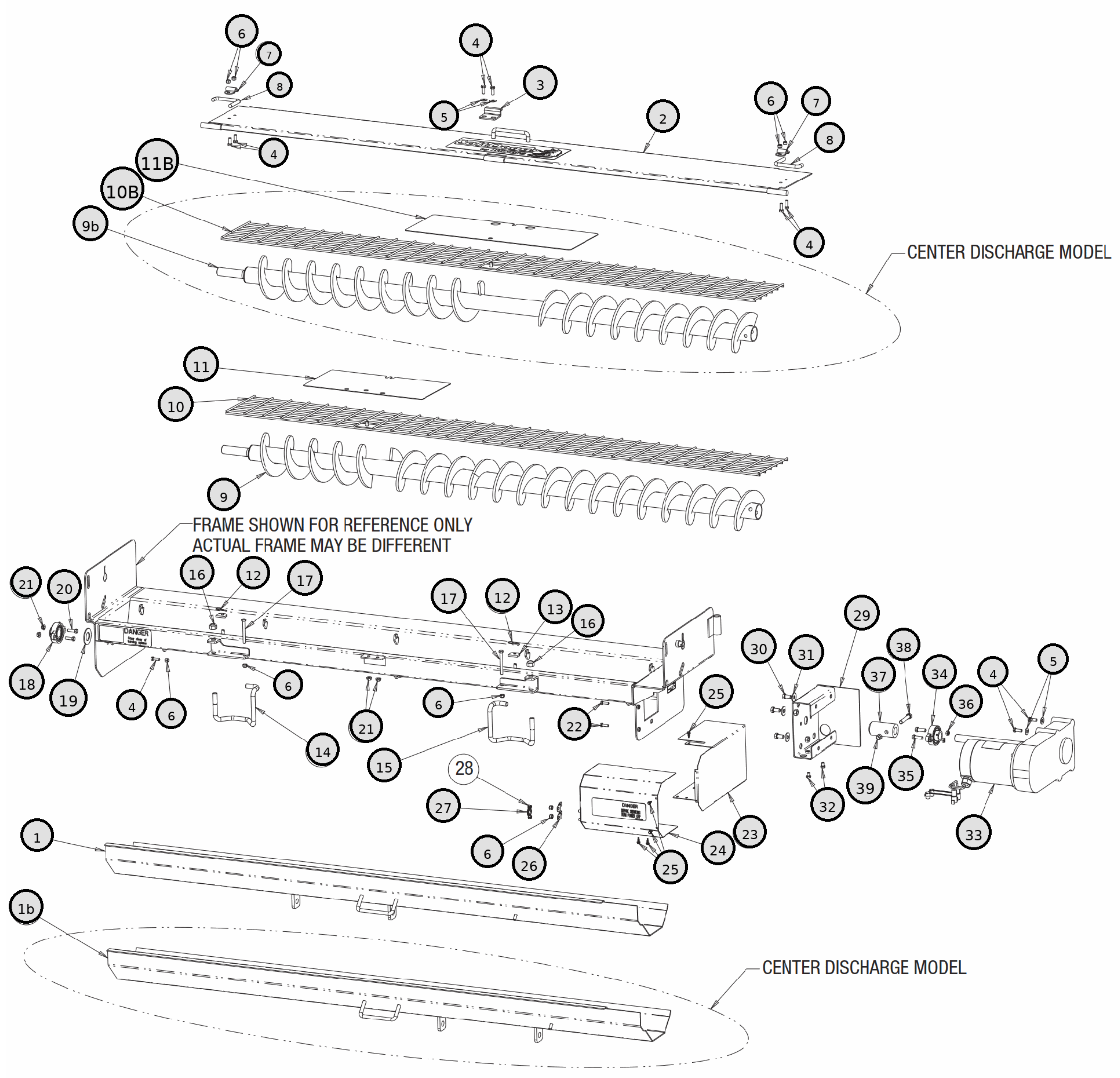
REF	PN	DESCRIPTION
NAN	nan	NAN



REF	PN	DESCRIPTION
NAN	3011132	DECAL,SALTDogg™,BLK/WHT ON CLR 18X6.3125
NAN	9240131	DECAL #1,DANGER STAY CLEAR
NAN	9240132	DECAL #2,DANGER BEFORE SVCE
1	3024301	TRAY, STD DISCHARGE
1B	3024515	TRAY, CENTER DISCHARGE
1B	3024515	TRAY,WELDMNT,UTS SST CENTER DISCHARGE
2	3025122	TOP COVER
2	3025122	WELDMNT,COVER,96IN UTS SST
3	3008447	LATCH,COVER HNG MTG BRKT, SERVICE ONLY
4	FCS038016100SS	SCREW CAP-3/8IN-16 X 1IN, HEX HEAD, SST
4	FCS038016100SS	SCREW CAP-3/8IN-16 X 1IN, HEX HEAD, SST
4	FCS038016100SS	SCREW CAP-3/8IN-16 X 1IN, HEX HEAD, SST
4	FCS038016100SS	SCREW CAP-3/8IN-16 X 1IN, HEX HEAD, SST
4	FCS038016100SS	SCREW CAP-3/8IN-16 X 1IN, HEX HEAD, SST
4	FCS038016100SS	SCREW CAP-3/8IN-16 X 1IN, HEX HEAD, SST
5	FWF038100007SS	WASHER-FLAT USS, 3/8IN, SST
5	FWF038100007SS	WASHER-FLAT USS, 3/8IN, SST
6	FNE038016044SS	NUT-NYLOCK, 3/8-16 X 7/16 THK,SST
6	FNE038016044SS	NUT-NYLOCK, 3/8-16 X 7/16 THK,SST
6	FNE038016044SS	NUT-NYLOCK, 3/8-16 X 7/16 THK,SST
6	FNE038016044SS	NUT-NYLOCK, 3/8-16 X 7/16 THK,SST
6	FNE038016044SS	NUT-NYLOCK, 3/8-16 X 7/16 THK,SST
6	FNE038016044SS	NUT-NYLOCK, 3/8-16 X 7/16 THK,SST
6	FNE038016044SS	NUT-NYLOCK, 3/8-16 X 7/16 THK,SST
7	3006968	BRACKET,SST COVER LATCH W/HOLES
7	3006968	BRACKET,SST COVER LATCH W/HOLES
8	3000268	HANDLE, STAINLESS LOCKING
8	3000268	HANDLE, STAINLESS LOCKING
9	924F0081	AUGER, STD DISCHARGE
9B	3024512	REPLACEMENT CENTER DISCHARGE AUGER FOR SALTDogg® 92428SSA AND 92441SSA SPREADERS
10	3024306	SCREEN, STD DISCHARGE
10B	3024518	SCREEN, CENTER DISCHARGE
10B	3024518	SCREEN,WELDMNT,UTS CENTER DISCHARGE
11	3022531	COVER PLATE, STD DISCHARGE
11B	3024517	COVER PLATE, CENTER DISCHARGE
11B	3024517	PLATE,SPILL SHIELD,UTS CENTER SST
12	1420016	HAIR SPRING COTTER PIN,
12	1420016	HAIR SPRING COTTER PIN,
13	3022533	BRACKET,UTS SCREEN MOUNT
14	3027109	ROD,LATCH,UTS TRAY SST CW
15	3027110	ROD,LATCH,UTS TRAY SST CCW
16	3001247	NUT,HEX,NYLON INSERT, 5/8-11
16	3001247	NUT,HEX,NYLON INSERT, 5/8-11
17	3001249	SCREW,CAP,HEX HD,3/8-16X 3-1/2 SST
17	3001249	SCREW,CAP,HEX HD,3/8-16X 3-1/2 SST
18	9240086	TAILGATE SPREADER AUGER BEARINGS
19	9240087	GASKET,FELT BEARING SDD
20	FCS038016125SS	SCREW,CAP-3/8IN-16 X 1-1/4INSST
21	3001255	NUT,HEX, SERRATED FLANGE 3/8-16, SST
21	3001255	NUT,HEX, SERRATED FLANGE 3/8-16, SST
22	3018701	SCREW,HEX HD CAP 5/16-18 X 1.0 IN,SST

MAIN ASSEMBLY WITH SCREEN

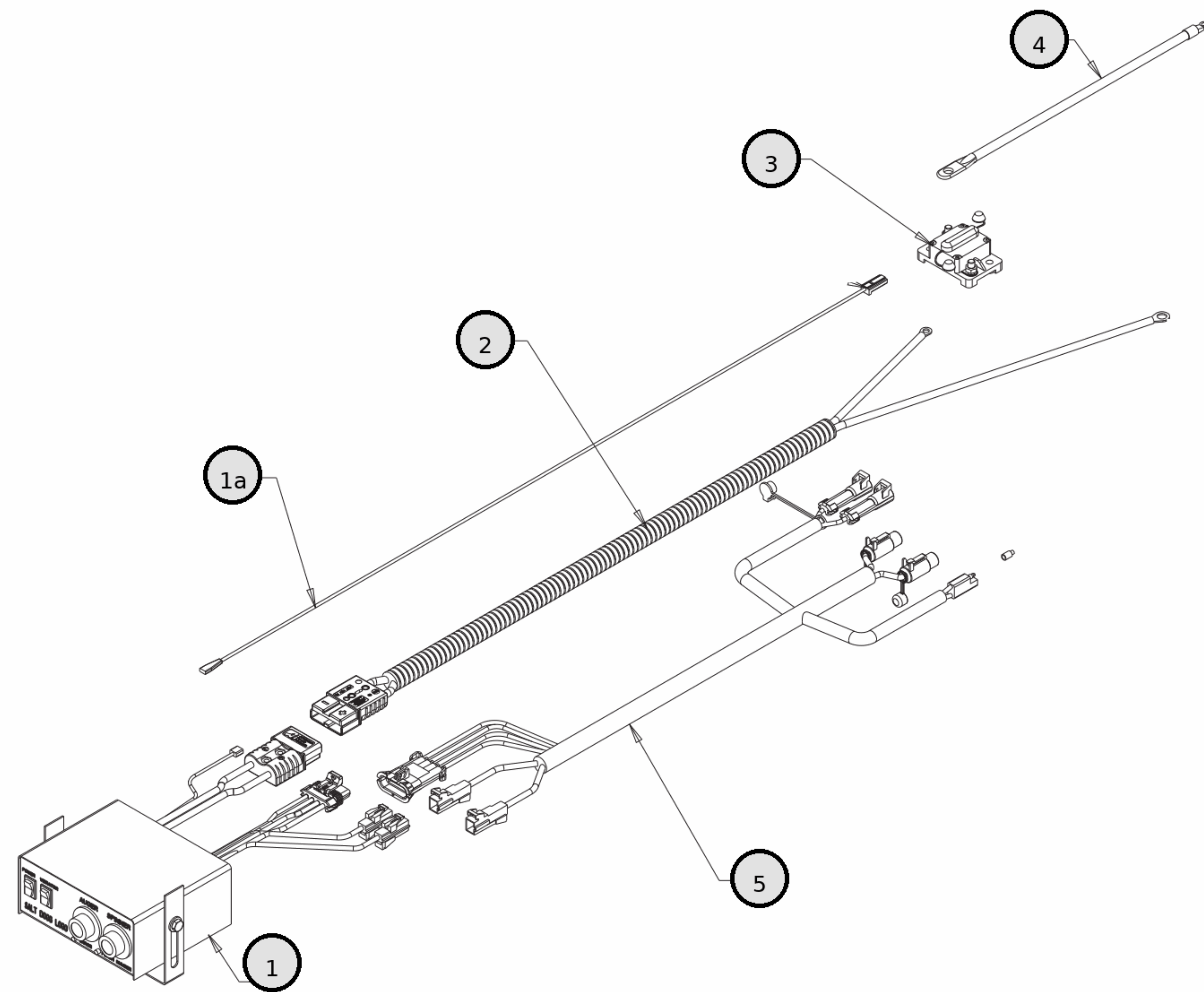
92441SSA / 92440SSA



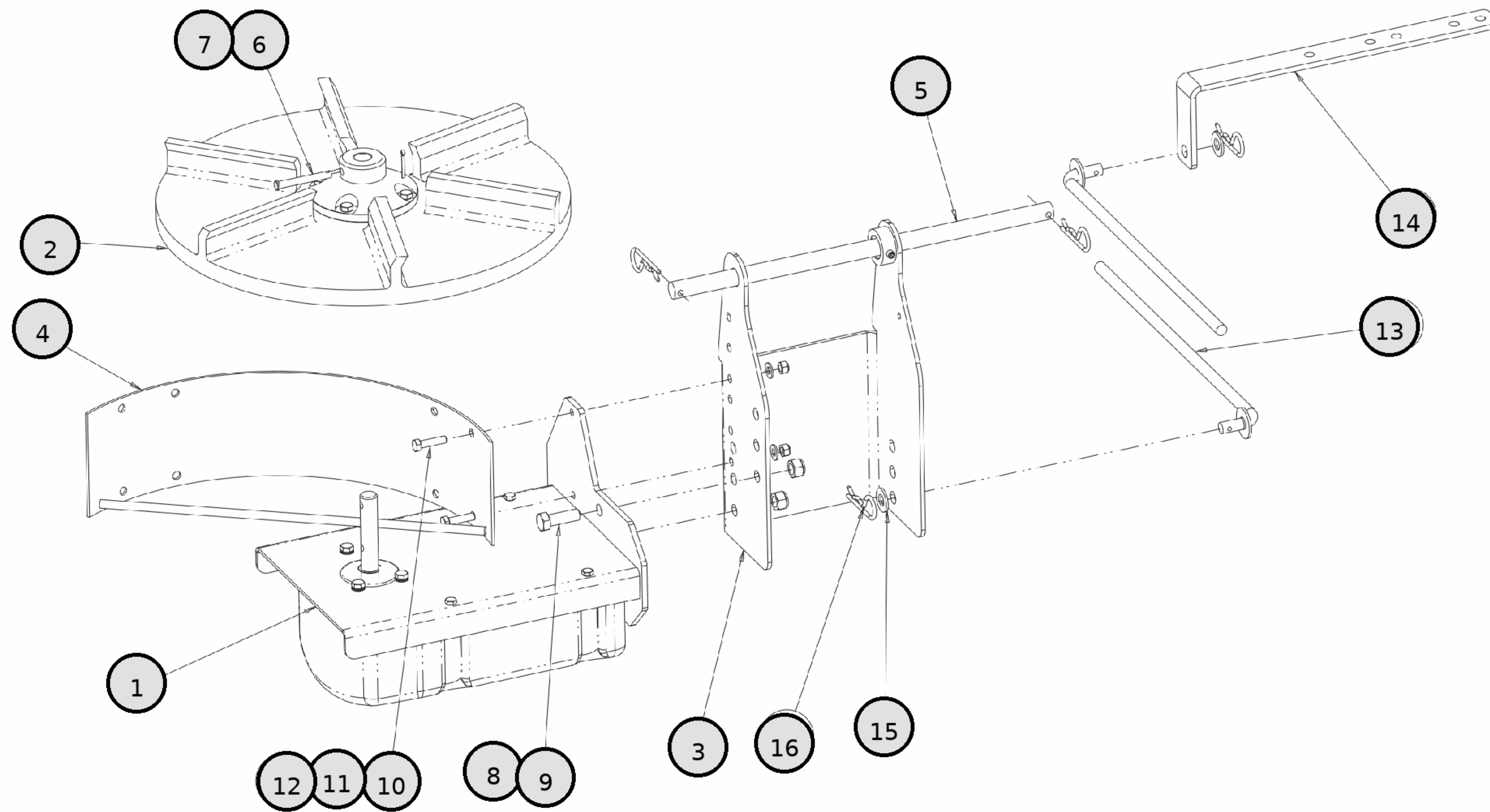
REF	PN	DESCRIPTION
23	3017186	COVER SIDE, GEAR MOTOR
24	3017187	COVER, GEAR MOTOR WELDMENT
25	3015873	SCREW #12-14 X .75 IN, SELF DRILL HEX
25	3015873	SCREW #12-14 X .75 IN, SELF DRILL HEX
26	3017121	CLIP MOUNTING, CONNECTOR
27	3017483	PLUG 1 INCH DOME HEYCO 1702
29	3014455	ADAPTER, GEAR MOTOR WELDMENT
30	FCS050013100SS	SCREW,CAP-1/2IN-13 X 1IN, HEX
31	3000269	WASHER, FLAT,1/2IN USS, SST
32	3006760	SCREW,HEX HD CAP,3/8-16 X 1/2IN 18-8 SST
33	3013821	AUGER MOTOR, .75 HP 4-BOLT
33	3013821	REPLACEMENT 12VDC .75 HP 4-BOLT AUGER GEAR MOTOR FOR SALTDogg® SPREADER
34	1410200	AUGER BEARING, 1-1/8 INCH SELF ALIGNING
34	1410200	REPLACEMENT 1-1/8 INCH SELF ALIGNING CHUTE SIDE DRIVE SHAFT TAKE-UP BEARING
35	3014755	SCREW, HCAP 7/16-14 X 1.25 SST
36	3014756	NUT, HEX NYLOCK 7/16-14 SST
37	3014858	SLEEVE, AUGER ADAPTER
38	3001250	SCREW,CAP,HEX HD,1/2-13 X 3
39	FNE050013053SS	NUT, ELASTIC STOP,1/2-13,SST

MAIN ASSEMBLY WITH SCREEN

92441SSA / 92440SSA



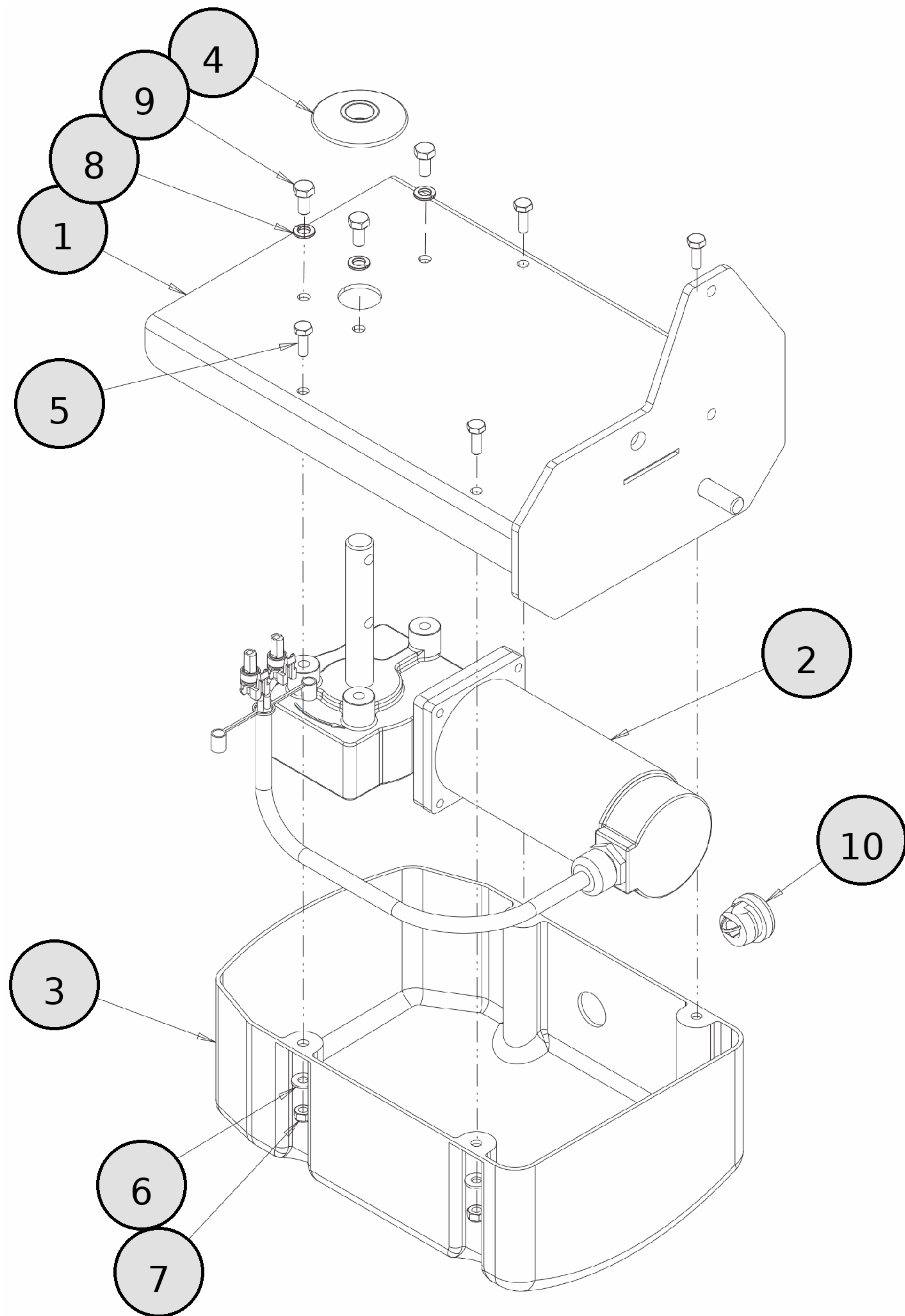
REF	PN	DESCRIPTION
1	3057918	CONTROLLER, PRO
1A	0203700	ENABLE WIRE (3016934 ONLY)
2-4	3035938	POWER HARNESS KIT, PRO
2	3035935	POWER HARNESS, PRO
3	CB150PB	CIRCUIT BREAKER, 150A
4	3001379	BATTERY CABLE
5	3017233	REPAIR KIT, 3030628 TO CONTROLLER (4 PIN)
5	3020301	REPAIR KIT, 3030628 TO SPINNER MOTOR
5	3024738	REPAIR KIT, 3030628 TO DRIVE MOTOR
5	3030628	CONTROL HARNESS, PRO, 2 CONNECTOR SPINNER



REF	PN	DESCRIPTION
1	3035902	SPINNER ASSEMBLY,BRACKET AND MOTOR
2	3030182	HUB ONLY, SPINNER POLY
2	3035906	SPINNER ONLY, 18IN POLY, CCW
2	3035907	SPINNER,ASM,18IN POLY CCW
3	3017175	BRACKET, HEIGHT ADJUSTMENT WELDMENT
4	3006659	SHIELD,SPINNER WELDMENT,SST UTS
5	3006646	ROD, HINGE SST
6	3007113	PIN,CLEVIS,SHK DIA .313,OAL 2.51
7	FPC013000100	COTTER PIN 1/8IN X 1IN ZN
8	FNE050013053SS	NUT, ELASTIC STOP,1/2-13,SST
9	FCS050013150SS	SCREW,HHC 1/2-13 X 1-1/2,SST
10	0205100	SCREW,HHC,5/16-18 X 1.25,SST,FULL THRD
11	FWF031075006SS	WASHER, FLAT, 5/16 X .688 X .065, SST
12	FNE031018034SS	NUT, NYLOCK, 5/16-18, GR A, SST
13	924F0012	LINKAGE,PARALLEL FINISHED
14	3006645	ANGLE,SPINNER LUG SST SDD
15	3003873	WASHER,FLAT,1/2IN SAE, SST
16	HP12	COTTER, HAIR PIN, 5/32IN ZINC,

SPINNER FRAME ASSEMBLY

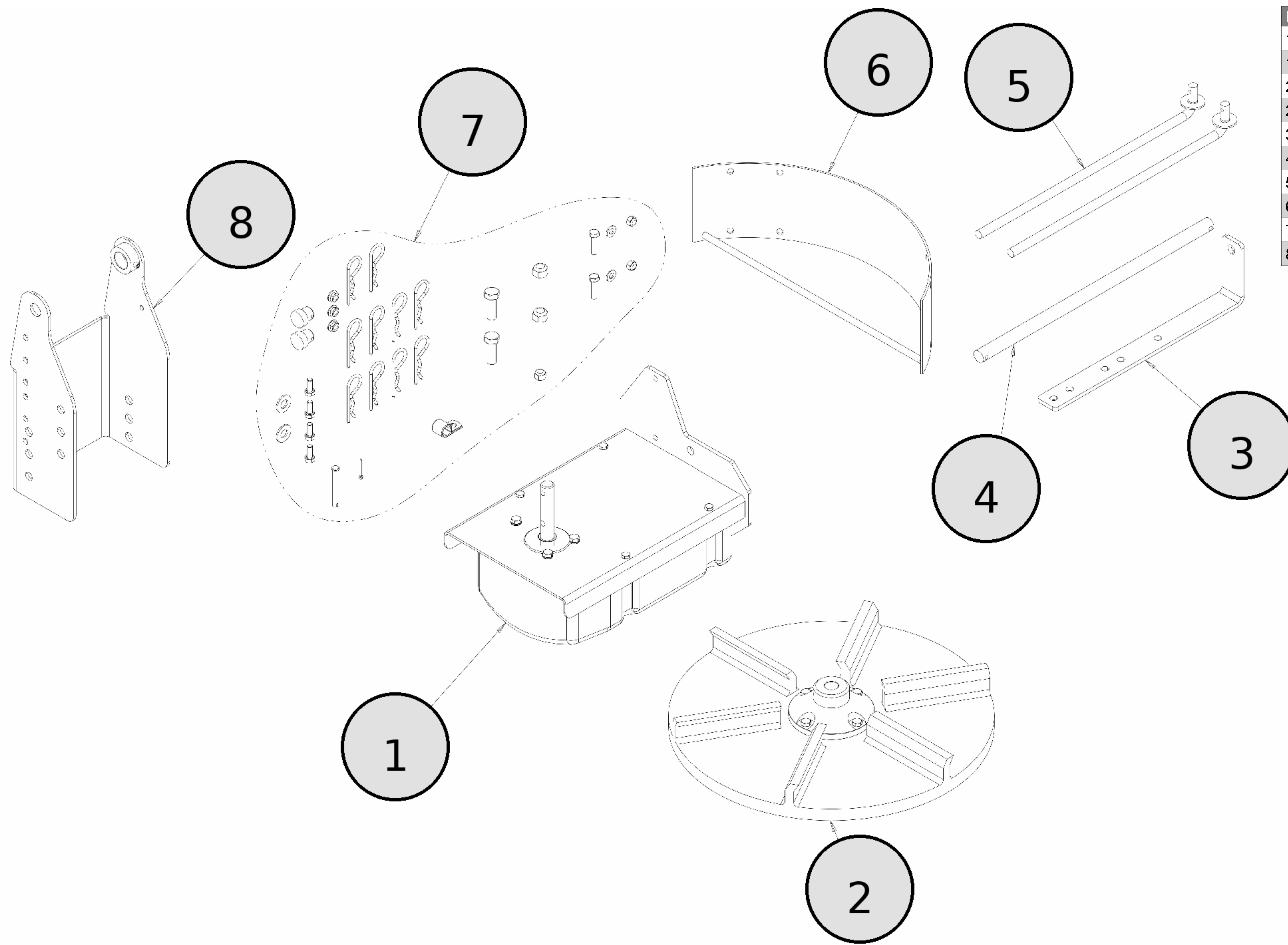
92441SSA / 92440SSA



REF	PN	DESCRIPTION
1	3035903	BRACKET, WELDMENT, SPINNER MOTOR
2	3030222	GEAR MOTOR, CHUTE
3	3030575	ENCLOSURE, GEAR MOTOR, CHUTE
4	3027439	SLINGER, 3/4 IN SHAFT
5	FCS025020075SS	SCREW, CAP-1/4-20 X 3/4 IN, SST
6	FWF025063007SS	WASHER, FLAT, 1/4 IN SAE, SST
7	FNE025020031SS	NUT, NYLOCK, 1/4-20, GR A, SST
8	FWL031058008SS	WASHER, SPLIT LOCK, 5/16 IN, SST
9	FCS031018063SS	SCREW, CAP-5/16 IN-18 X 5/8 IN,
10	3025065	BUSHING CABLE STRAIN RELIVER

SPINNER ASS

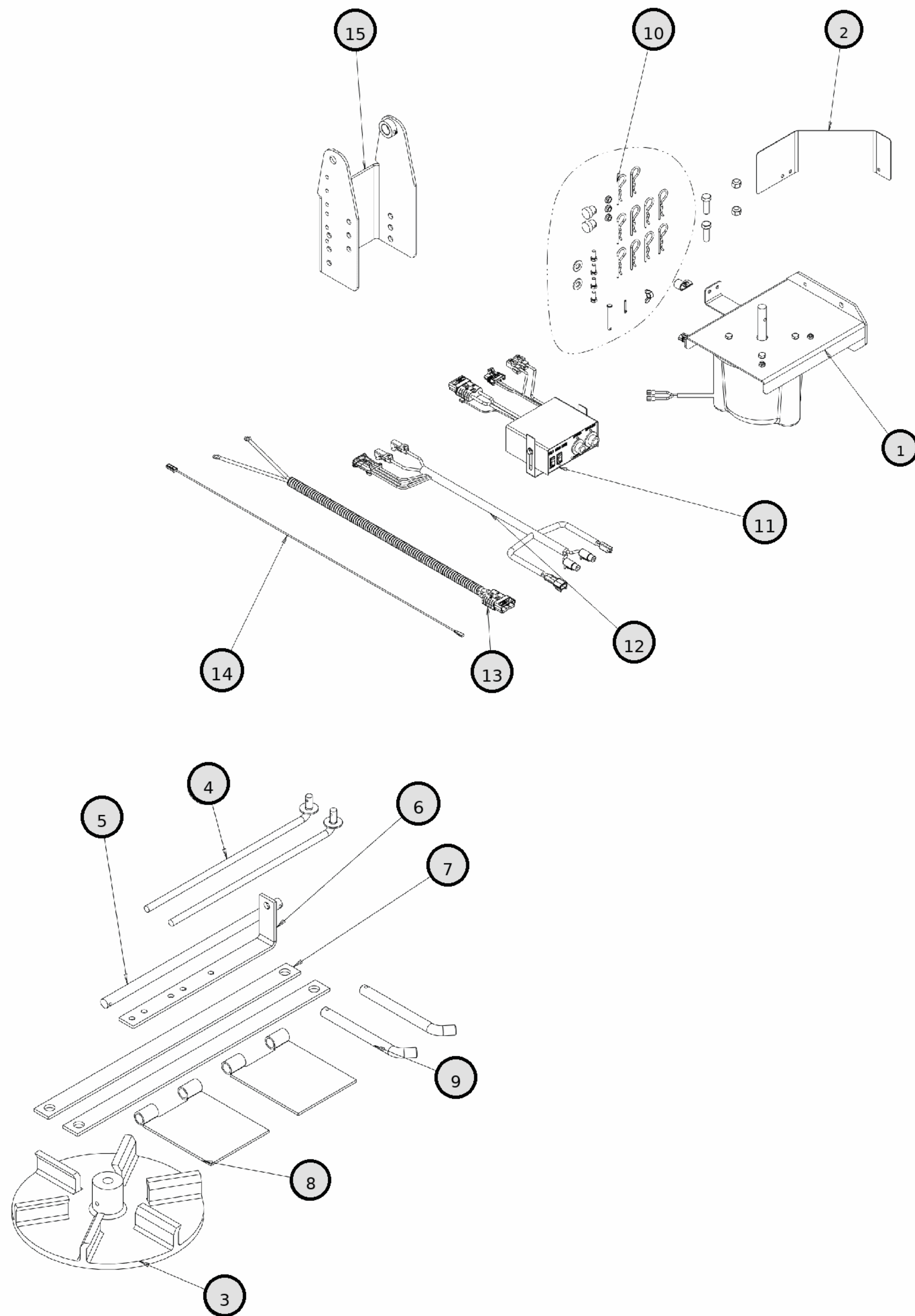
92441SSA / 92440SSA



REF	PN	DESCRIPTION
1-8	3041324	SPINNER REPLACEMENT KIT, ELECTRIC UTS
1	3035902	SPINNER ASSEMBLY,BRACKET AND MOTOR
2	3035906	SPINNER ONLY, 18IN POLY, CCW
2	3035907	SPINNER,ASM,18IN POLY CCW
3	3006645	ANGLE,SPINNER LUG SST SDD
4	3006646	ROD, HINGE SST
5	924F0012	LINKAGE,PARALLEL FINISHED
6	3006659	SHIELD,SPINNER WELDMENT,SST UTS
7	3015181	HARDWARE BAG, UTS ELECTRO
8	3017175	BRACKET, HEIGHT ADJUSTMENT WELDMENT

3041324 COMPLETE LOW PROFILE SPINNER KIT (CAN BE USED TO UPDATE OLDER ELECTRIC UTS)

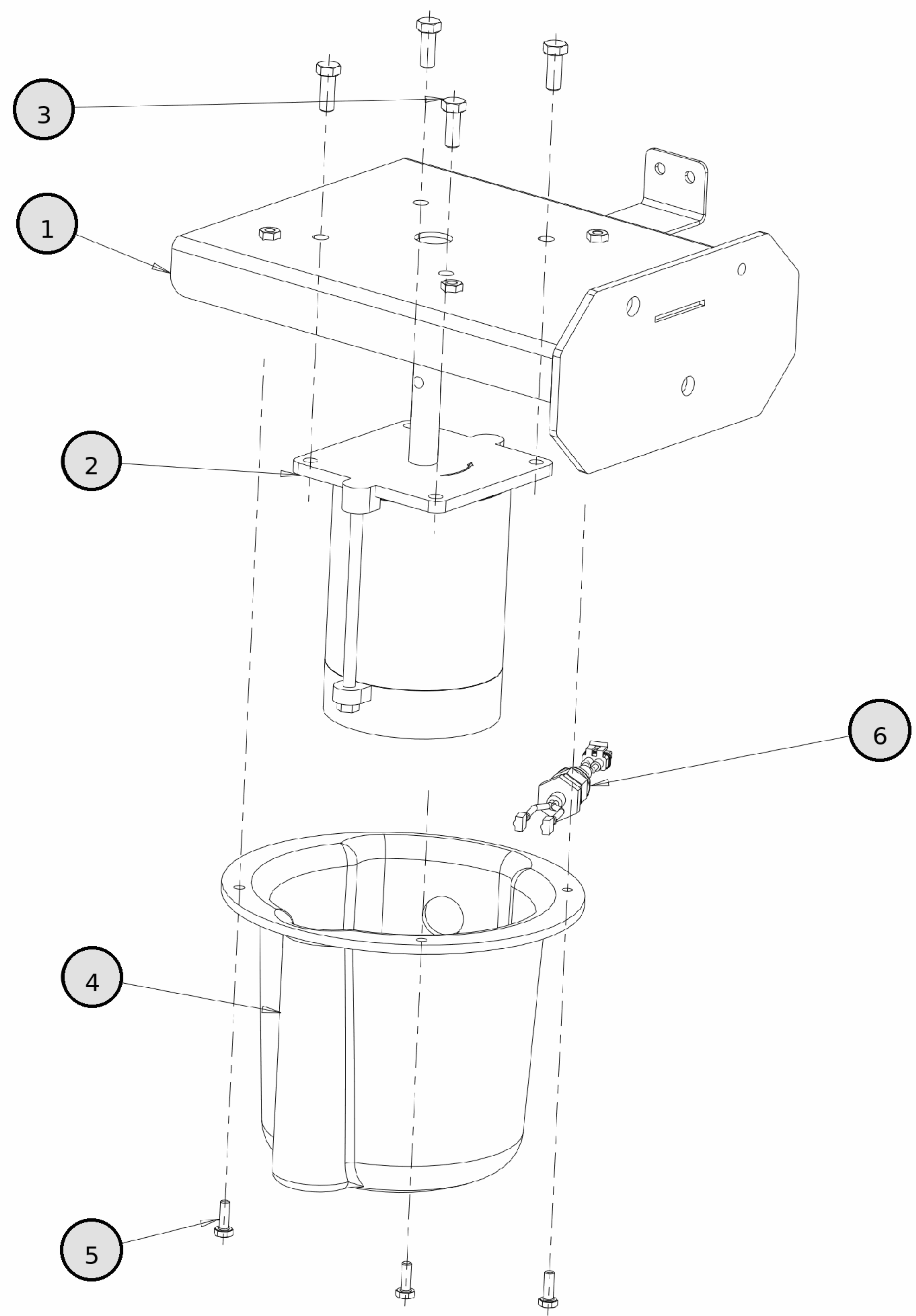
92441SSA / 92440SSA



REF	PN	DESCRIPTION
NAN	3015145	SPINNER KIT, UTS ELECTRO SST
1	3017176	BRACKET SPINNER MOTOR ASM
2	3017172	SHIELD, SPINNER DISK
3	3016394	REPLACEMENT 14 INCH POLY CCW SPINNER FOR SALTDOGG® SPREADER
3	3016394	SPINNER, 14 INCH POLY CCW
4	924F0012	LINKAGE, PARALLEL FINISHED
5	3006646	ROD, HINGE SST
6	3006645	ANGLE, SPINNER LUG SST SDD
7	3011137	BRACKET, HANGER, UTS SST
8	3009526	PLATE, DETACH, MOUNT SST
9	3011139	PIN, HINGE, SST
10	3015181	HARDWARE BAG, UTS ELECTRO
11	3057918	CONTROLLER, PRO
12	3016944	MAIN WIRE HARNESS WITH 2-PIN SPINNER CONNECTOR
12	3016944	REPLACEMENT MAIN WIRE HARNESS WITH 2-PIN SPINNER CONNECTOR FOR SALTDOGG® SPREADERS
13	3035938	POWER CABLE KIT
13	3035938	POWER CABLE KIT, PRO
14	0203700	WIRE ASSY, 36IN LONG
15	3017175	BRACKET, HEIGHT ADJUSTMENT WELDMENT

ADJUSTABLE HEIGHT FRAME ASSEMBLY, 2009-2018

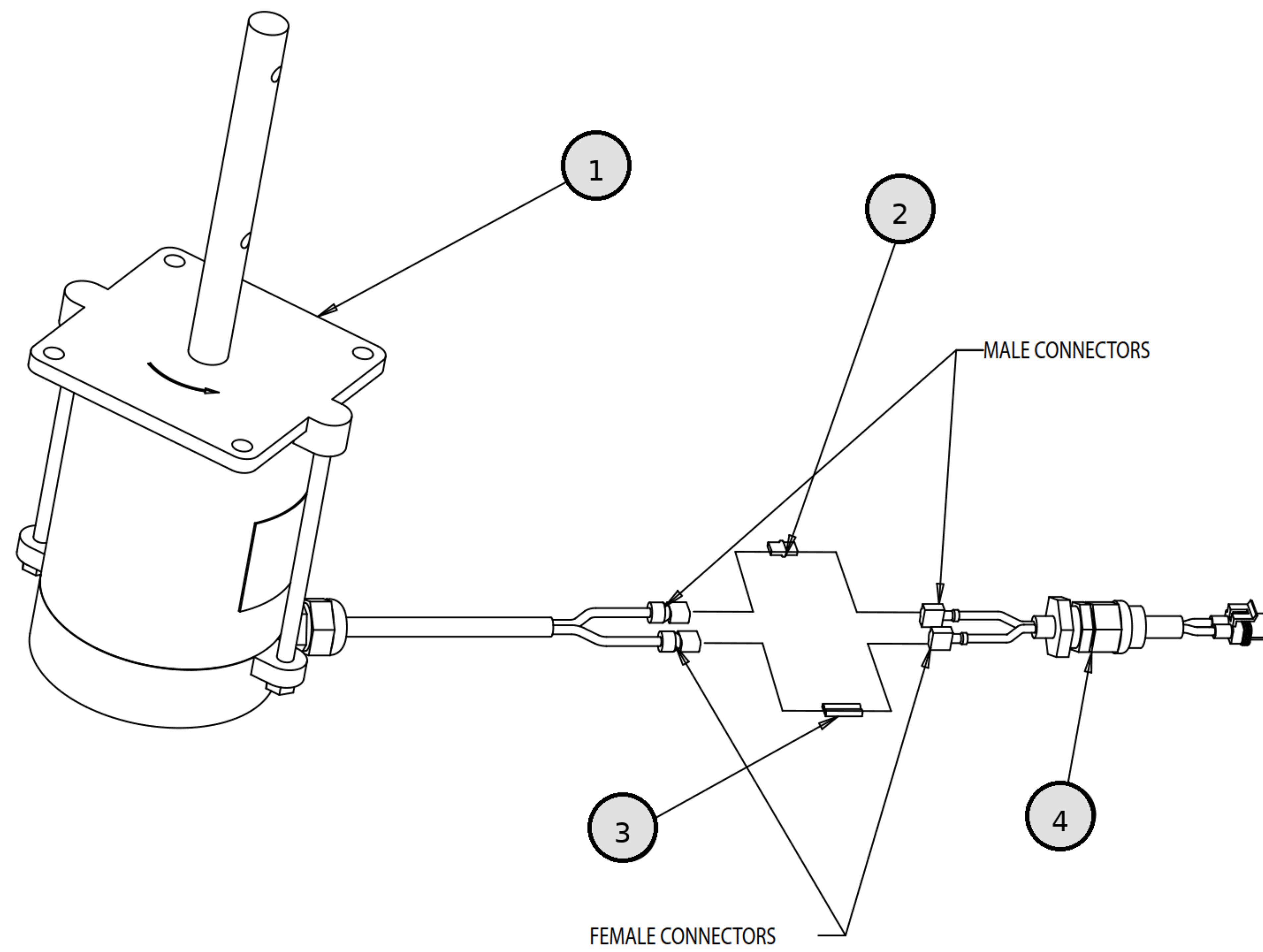
92441SSA / 92440SSA



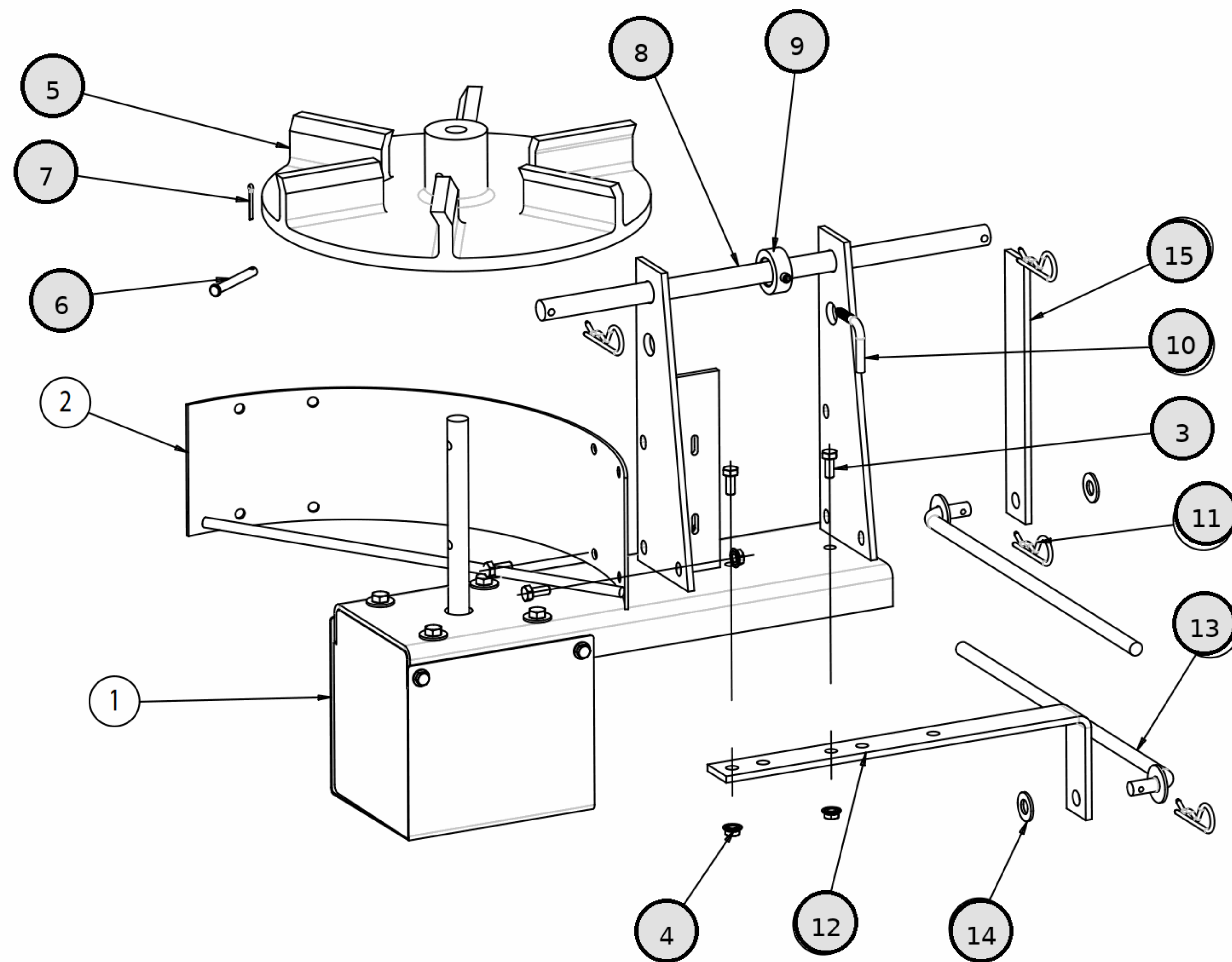
REF	PN	DESCRIPTION
1	3017171	BRACKET WELDMENT, SPINNER MOTOR
2	3016309	REPLACEMENT .5 HP 12VDC SPINNER MOTOR FOR SALTDOGG® SPREADERS
2	3016309	SPINNER MOTOR, .5HP, TWO CONNECTOR HARNESS
3	FCS038016100SS	SCREW CAP-3/8IN-16 X 1IN, HEX HEAD, SST
4	3017174	REPLACEMENT SPINNER MOTOR COVER FOR SALTDOGG® SPREADER
4	3017174	SPINNER MOTOR COVER
5	FCS025020075SS	SCREW,CAP-1/4-20 X 3/4IN,SST
6	3006753	QUICK CONNECT TO 2-PIN HARNESS ADAPTER (3016944), CCW SPINNER
6	3006753	REPLACEMENT WIRE HARNESS FOR SALTDOGG® SHPE1500 AND TG SPREADERS

ADJUSTABLE HEIGHT SPINNER MOTOR ASSEMBLY, 2009-2018

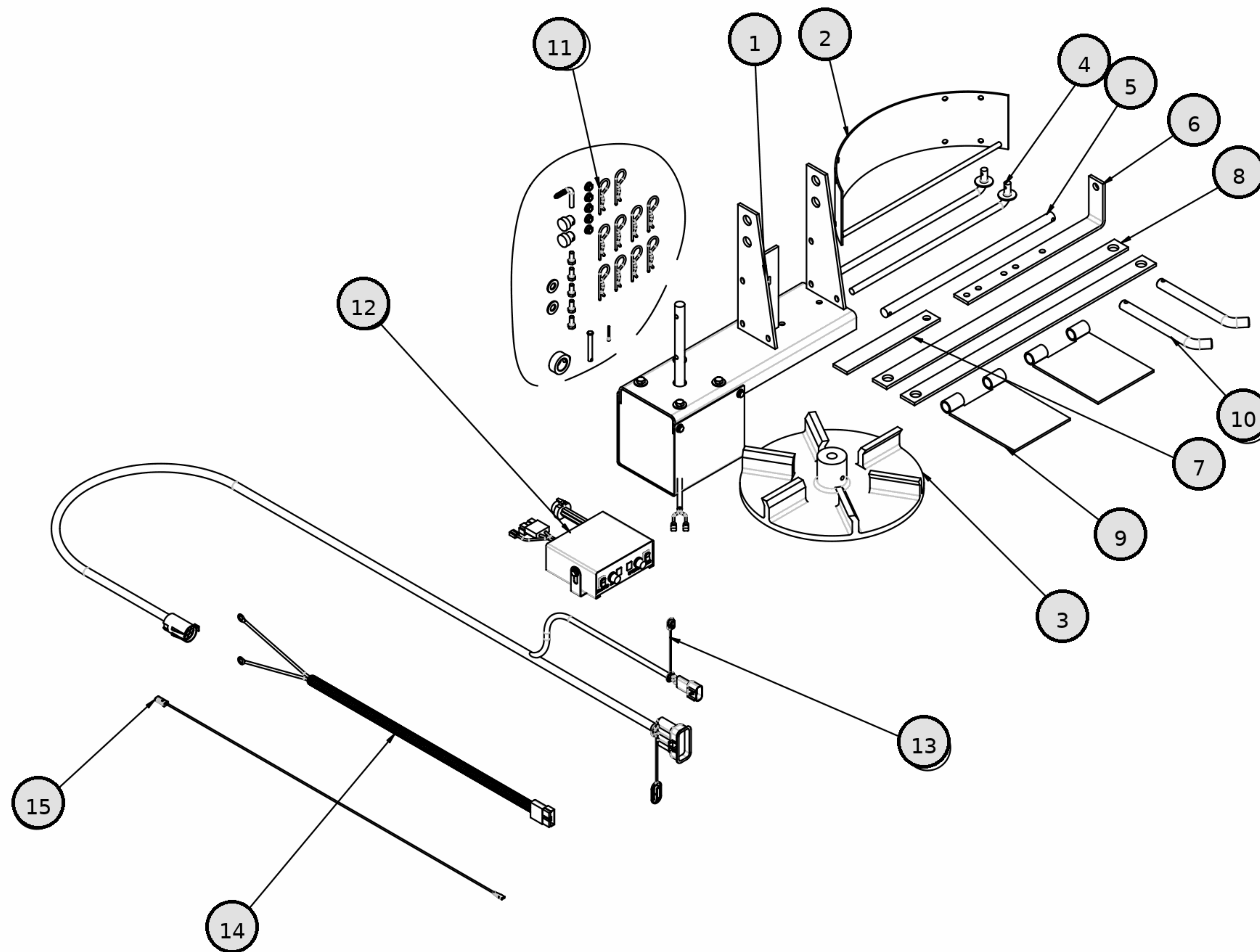
92441SSA / 92440SSA



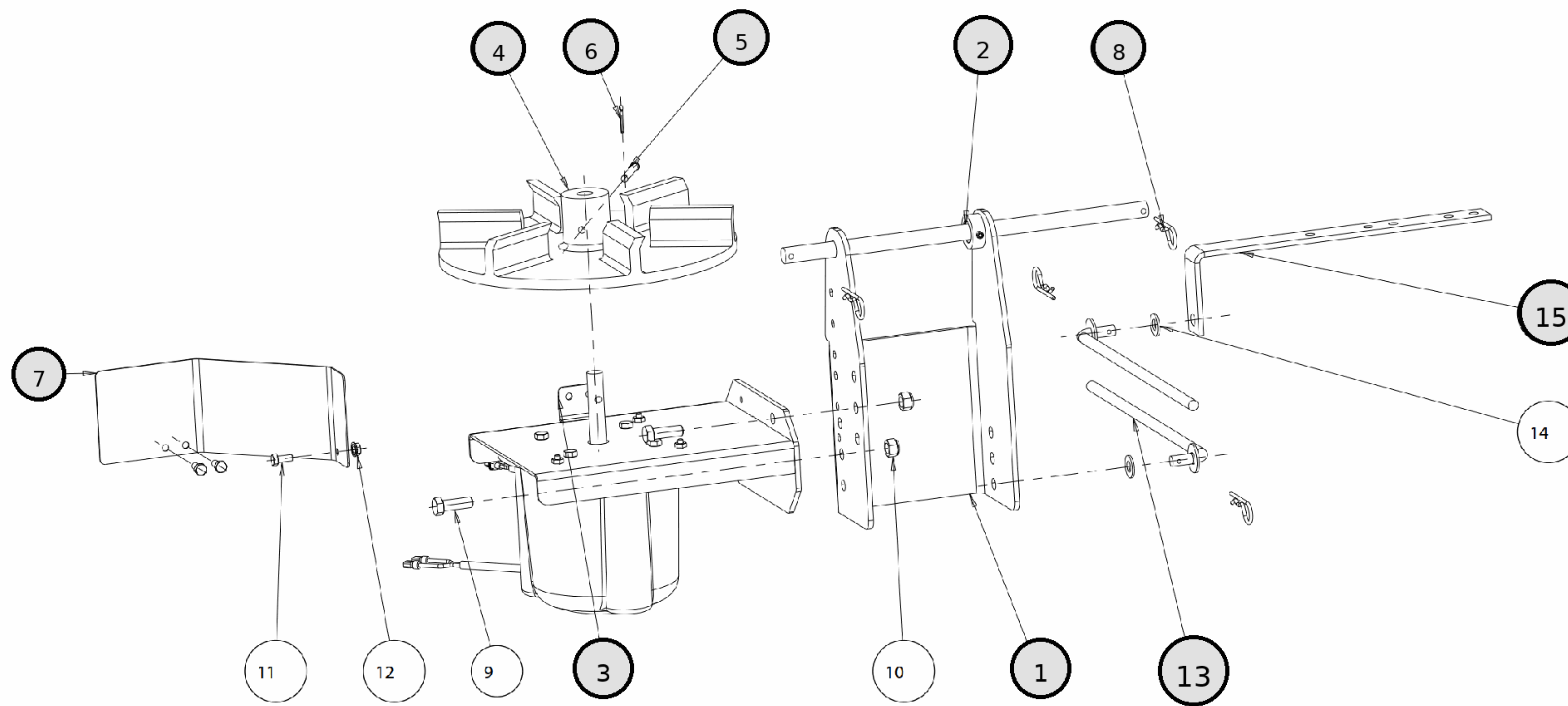
REF	PN	DESCRIPTION
1	3014078	SPINNER MOTOR, 12VDC, .5HP
2	-	NO LONGER REQUIRED - USE 3016017
3	-	NO LONGER REQUIRED - USE 3016017
4	3006753	QUICK CONNECT TO 2-PIN HARNESS ADAPTER, CCW SPINNER
4	3016017	QUICK CONNECT TO 2-PIN HARNESS ADAPTER, CW SPINNER



REF	PN	DESCRIPTION
1-15	3041324	SERVICE KIT - LOW PROFILE SPINNER ASSEMBLY
3	-	SCREW, HEX HD, 5/16-18 X 3/4 GR5 SS
4	-	NUT, HEX FLANGE, 5/16-18 SS
5	3012393	SPINNER, 14" POLY CW
5	3016394	SPINNER, 14" POLY CCW
6	3007113	CLEVIS PIN, 5/16-2-1/2, .141 HOLE
7	FPC013000100	COTTER PIN, 1/8 X 1, ZINC
8	3006646	HINGE ROD
9	3006634	LOCKING COLLAR
10	92401113	SPINNER LOCK
11	HP12	COTTER PIN, 5/32X3.25 OAL
12	3006645	ANGLE, SPINNER LUG
13	924F0012	WELDMENT, PARALLEL LINKAGE
14	-	FLAT WASHER, 1/2 ID SST
15	924F0014	ATTACHMENT BAR



REF	PN	DESCRIPTION
1-6	3041324	COMPLETE LOW PROFILE SPINNER REPLACEMENT KIT, WORKS WITH ALL ELECTRIC UTS
1	3017175	ADJUSTABLE HEIGHT MOUNT BRACKET
1	3017176	ADJUSTABLE HEIGHT SPINNER MOTOR ASSEMBLY
2	3006659	SHIELD, SPINNER WELDMENT, SST UTS
3	3012393	SPINNER 14IN POLY CW
4	924F0012	LINKAGE, PARALLEL FINISHED
5	3006646	ROD, HINGE SST
6	3006645	ANGLE, SPINNER LUG SST SDD
7	924F0014	BAR, FINISHED PAINTED BLACK
8	3011137	BRACKET, HANGER, UTS SST
9	3009526	PLATE, DETACH, MOUNT SST
10	3011139	PIN, HINGE, SST
11	3015181	HARDWARE BAG, UTS ELECTRO
12	3016212	CONTROLLER KIT FOR 92440SSA, 1400600SS,
13	3006724	WIRE HARNESS, MAIN, SHPE SERIES
14	3035936	KIT POWER CABLE REPLACES 3006842
15	0203700	WIRE ASSY, 36IN LONG



REF	PN	DESCRIPTION
1	3017175	BRACKET, HEIGHT ADJUSTMENT WELDMENT
2	3006646	ROD, HINGE SST
3	3017176	BRACKET SPINNER MOTOR ASM
4	3016394	REPLACEMENT 14 INCH POLY CCW SPINNER
4	3016394	REPLACEMENT 14 INCH POLY CCW SPINNER FOR SALTDOGG® SPREADER
5	3007113	CLEVIS PIN WITH 5/16 INCH DIAMETER AND 2-1/2 INCH LENGTH
6	FPC013000100	COTTER PIN 1/8IN X 1IN ZN
7	3017172	SHIELD, SPINNER DISK
8	625	CLAMP,HOSE .625, 13/32 HOLE
13	924F0012	LINKAGE,PARALLEL FINISHED
15	3006645	ANGLE,SPINNER LUG SST SDD